

BCT90GX

90cm Stainless Steel Gas Cooktop



Cast Iron Pan Support



High Efficiency Gas Burners



Flame Failure Device



Integrated Electronic Ignition



Easy to Clean

Main Features

Cooking Zones:	4x Standard Burners, 1 x Wok
Control Type:	Front Controls
Construction Type:	Stainless Steel
Cast Iron Trivet:	Yes
Cooking Levels:	Variable
Cast Iron Wok Adapter:	Yes
Burner Caps:	Cast Iron
Adapt for LPG Gas:	Yes, via Included conversion kit
Suitable for Natural Gas:	Yes (factory configuration)
Gas Consumption:	43 Mj/h

Dimensions & Weights

Built-in dimensions (W x D):	860 mm x 490 mm
Unpacked height:	95 mm
Unpacked width:	910 mm
Unpacked depth:	510 mm
Unpacked weight:	17.3 kg
Packed height:	170 mm
Packed width:	980 mm
Packed depth:	595 mm
Packed weight:	19 kg

Control Features

Electronic Ignition:	Yes
----------------------	-----

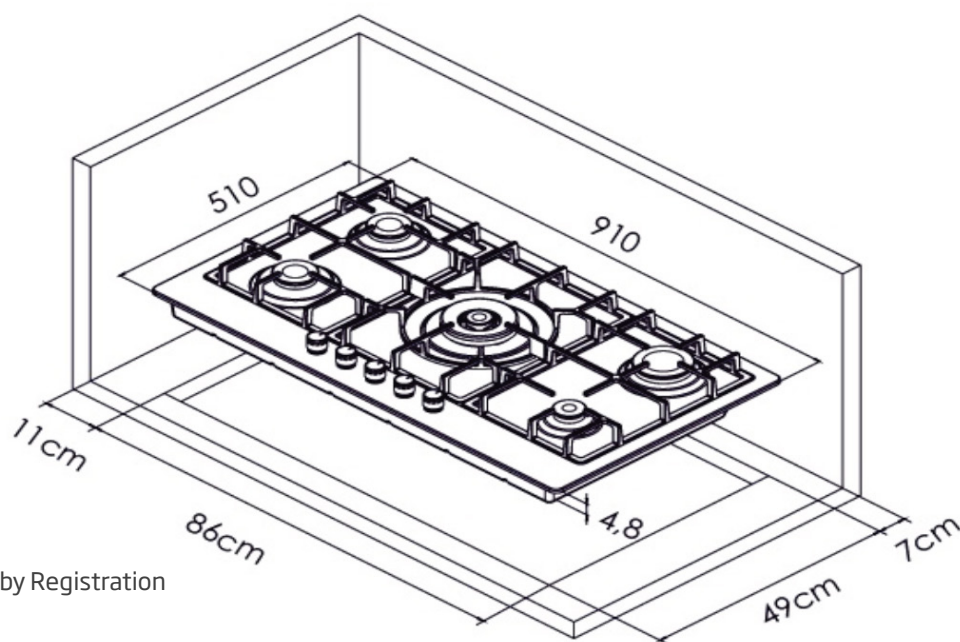
Safety

Flame Failure Device	Yes
----------------------	-----

Cooktop Zones

Rear Left Zone:	6.7Mj/h
Rear Right Zone:	11.3 Mj/h
Front Left Zone:	6.7 Mj/h
Front Right Zone:	3.9 Mj/h
Wok Zone:	14.4 Mj/h

Ean Code:	8690842166556
Manufacturers Warranty:	2 Years + 3 Years by Registration



beko

Official partner of
the
everyday