

# BB060B1FB

## 94 L Gross Capacity Built-in Commercial Oven



Fan Forced Cooking



Extra Large Capacity



Electric Grill



Defrost Function for Oven



Easy to Remove Side Racks

### Main Features

|                          |                    |
|--------------------------|--------------------|
| Oven feature:            | Fan Forced Cooking |
| Gross Volume:            | 94 Litres          |
| Net Volume:              | 82 Litres          |
| Detachable Side Racks:   | 6 Levels           |
| Control Type:            | LED, Touch Control |
| Cooling Fan:             | Yes                |
| Max. Temperature         | 280°C              |
| 10 Amp Plug & Lead:      | Yes                |
| Total Power Consumption: | 2.3 kW             |

### Design

|                       |                              |
|-----------------------|------------------------------|
| Colour:               | Black Glass, Stainless Steel |
| Illumination:         | 1 x Round (Rear)             |
| Layers of Door Glass: | 3                            |
| Inner Door Type:      | Full Glass (removable)       |

### Accessories

|                            |   |
|----------------------------|---|
| Cooking Tray (Standard):   | 1 |
| Tray Rack (Standard):      | 1 |
| Wire Shelf for Side Racks: | 2 |

### Functions

|                     |                           |
|---------------------|---------------------------|
| Number of Functions | 5                         |
|                     | Fan Heating               |
|                     | Electric Grill            |
|                     | Grill with Fan            |
|                     | Defrost Function for Oven |
|                     | Interior Light            |

### Dimensions & Weights

|                                    |         |
|------------------------------------|---------|
| Built-in dimensions (cabinet):     |         |
| Height:                            | 600 mm  |
| Width:                             | 560 mm  |
| Depth:                             | 550 mm  |
| Built-in dimensions (under bench): |         |
| Height:                            | 590 mm  |
| Width:                             | 560 mm  |
| Depth:                             | 550 mm  |
| Unpacked Weight:                   | 34.9 kg |
| Packaged Height:                   | 655 mm  |
| Packaged Width:                    | 660 mm  |
| Packaged Depth:                    | 660 mm  |
| Packaged Weight:                   | 38.0 kg |

|                         |                                   |
|-------------------------|-----------------------------------|
| Ean Code:               | 8690842221743                     |
| Manufacturers Warranty: | 2 Years + 3 Years by Registration |



**beko**

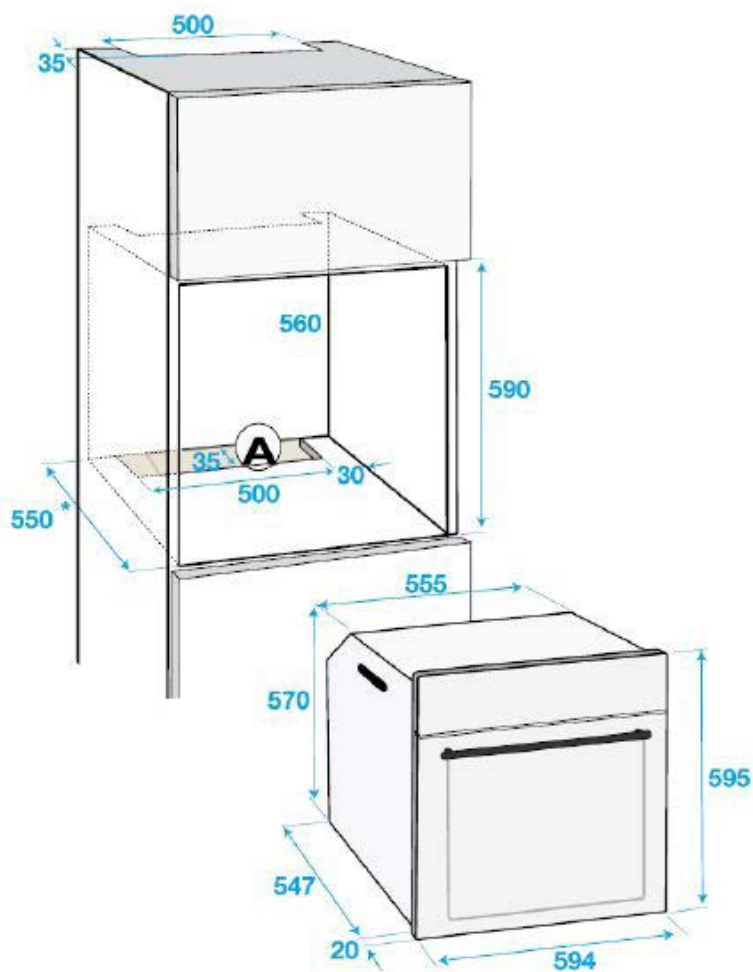
Official partner of the *everyday*

# BB060S1FB

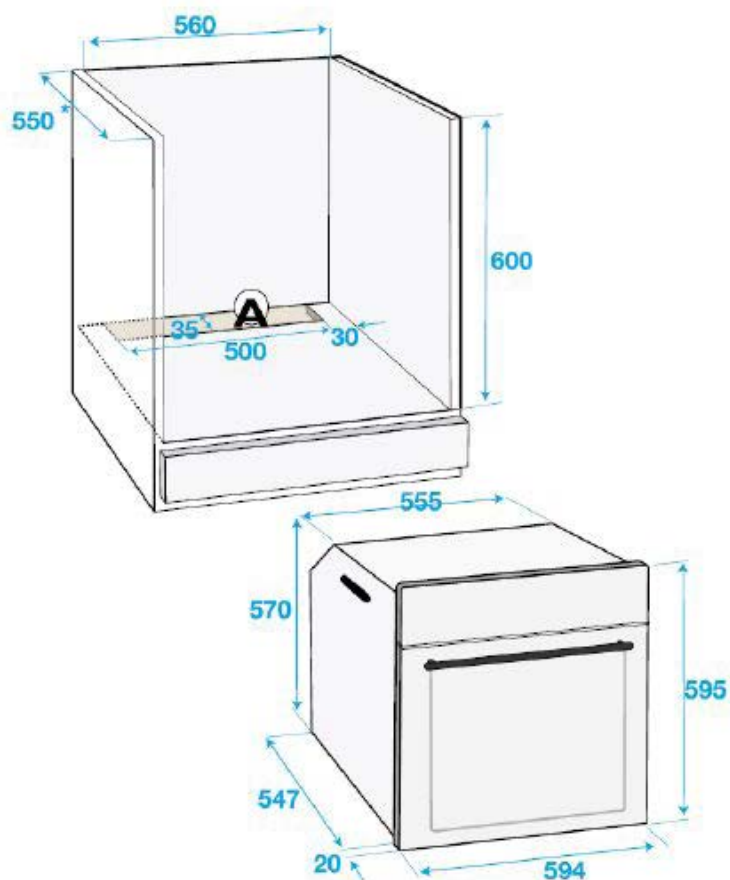
## 94 L Gross Capacity Built-in Commercial Oven



Cabinet Dimensions



Under Bench Dimensions



Official partner of  
the  
*everyday*