

BRH52UX

52 cm Stainless Steel Undermount Rangehood



LED Illumination



Aluminium Cassette Filter



Easy to Use

Main Features

Type	Undermount
Control:	Push Button
Construction Type:	Stainless Steel
Operation Levels:	3
Lighting:	2 x 2 Watt LED Lamps
Filtration:	1 x Washable Aluminium Cassette Filter
Filter:	1 x CF152 Included, Replacement Sold Separately

Air Extraction (according to

EN1591): 600 m³/h

Dimension of Pipe Connection: 150 mm

Adapter: 120 mm

Noise Level: 70 db(A)

Re-circulating Operation: Optional

Voltage: 220-240

Frequency: 50 Hz

Supply Cord & Plug: Yes

Total Power Consumption: 194 W

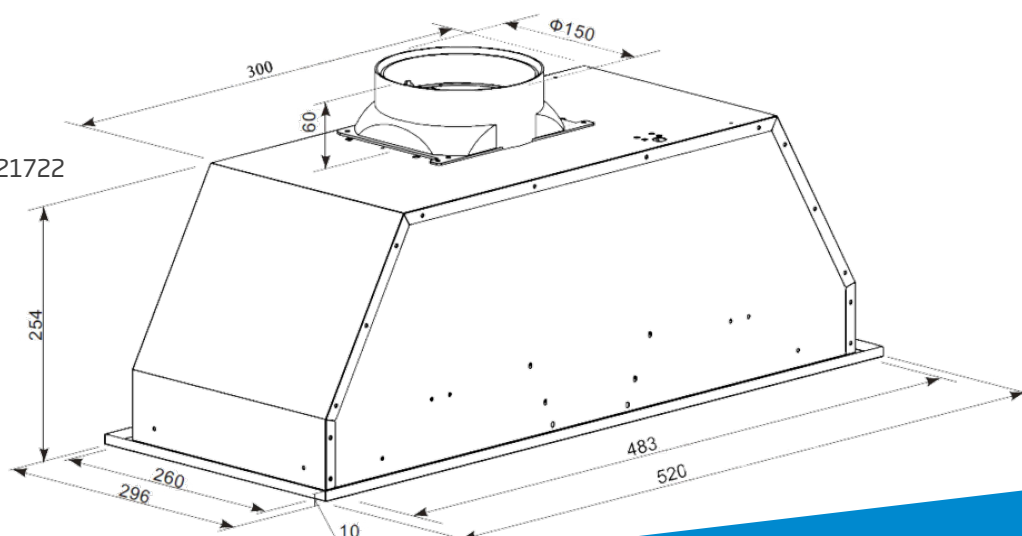
Ean Code: 8690842121722

Manufacturers Warranty: 2 Years

Dimensions & Weights

Unpackaged Height:	254 mm
Unpackaged Width:	520 mm
Unpacked Depth:	296 mm
Unpackaged Weight:	6.4 kilograms
Packaged Height:	375 mm
Packaged Width:	630 mm
Packaged Depth:	410 mm
Packaged Weight:	8.1 kg

Cutout Dimensions(WxD): 490 x 265 mm



beko

Official partner of
the
everyday