

BBO60S0FB

81 L Gross Capacity Built-in Commercial Oven



Fan Forced Cooking



Easy Clean Inner Glass Door



Electric Grill



Defrost Function for Oven



Easy to Remove Side Racks

Main Features

Oven feature:	Fan Forced Cooking
Gross Volume:	81 Litres
Net Volume:	71 Litres
Detachable Side Racks:	5 Levels
Control Type:	Knob with Minute Minder
Cooling Fan:	Yes
Max. Temperature	280°C
10 Amp lead & plug:	Yes
Total Power Consumption:	2.3 kW

Design

Colour:	Black Glass, Stainless Steel
Illumination:	1 x Round (Rear)
Layers of Door Glass:	3
Inner Door Type:	Full Glass (removable)

Cleaning

Easy Clean Inner Door Glass:	Yes
------------------------------	-----

Accessories

Cooking Tray (Standard):	1
Tray Rack (Standard):	1
Wire Shelf for Side Racks:	2

Functions

Number of Functions	5
	Fan Heating
	Electric Grill
	Grill with Fan
	Defrost Function for Oven
	Interior Light

Dimensions & Weights

Built-in dimensions (cabinet):	
Height:	600 mm
Width:	560 mm
Depth:	550 mm
Built-in dimensions (under bench):	
Height:	590 mm
Width:	560 mm
Depth:	550 mm
Unpacked Weight:	32.2 kg

Packaged Height:	655 mm
Packaged Width:	660 mm
Packaged Depth:	660 mm
Packaged Weight:	34.6 kg

Ean Code:	8690842157325
Manufacturers Warranty:	2 Years + 3 Years by Registration



beko

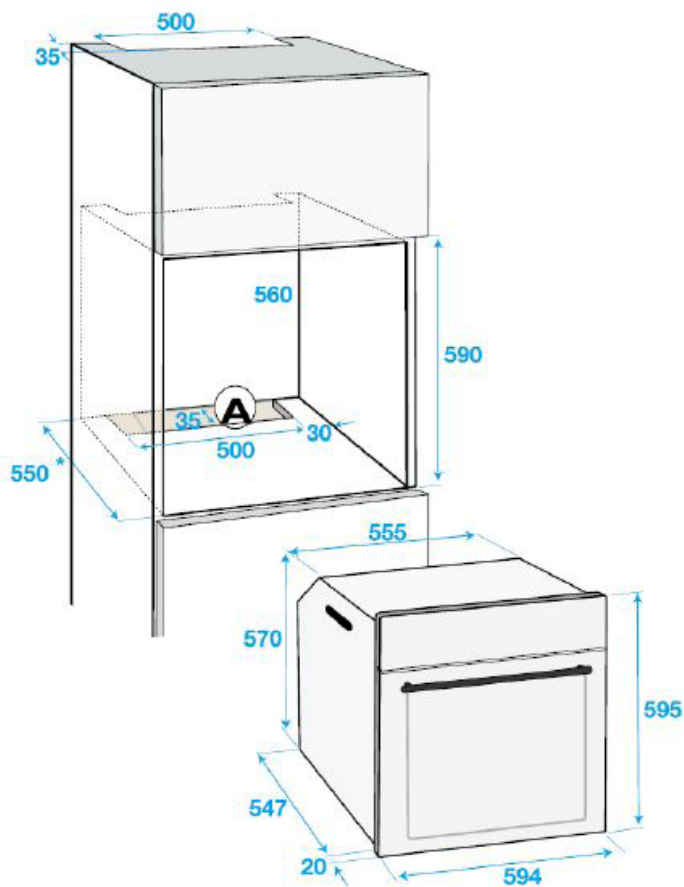
Official partner of the
everyday

BB060S0FB

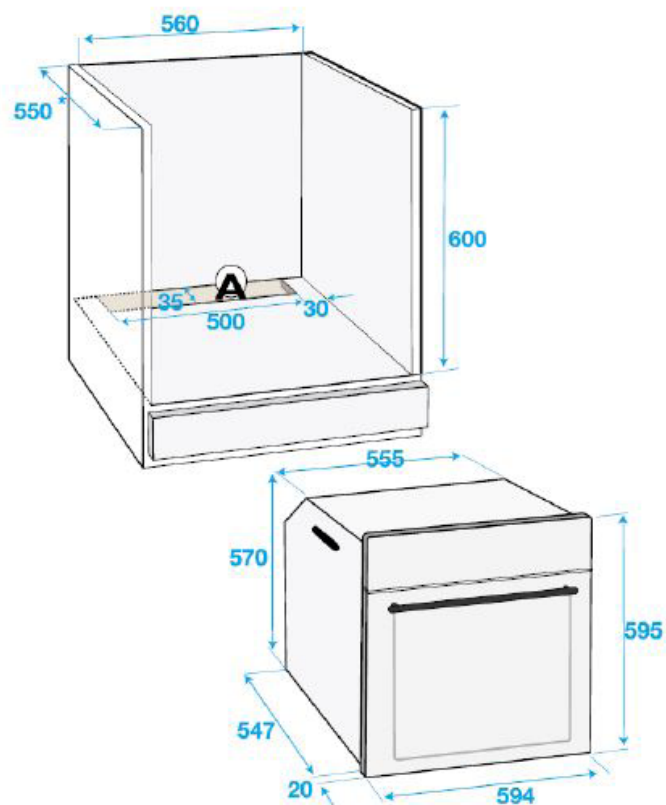
81 L Gross Capacity Built-in Commercial Oven



Cabinet Dimensions



Under Bench Dimensions



Official partner of
the
everyday