

# BIM35404XPS

94 lt. gross capacity Multifunction & Pyrolytic Built-in Oven



## Smart Solutions



Extra Large Capacity



Pyrolytic Self Cleaning



Odour Free Cooking



Pull-out Telescopic Shelving System



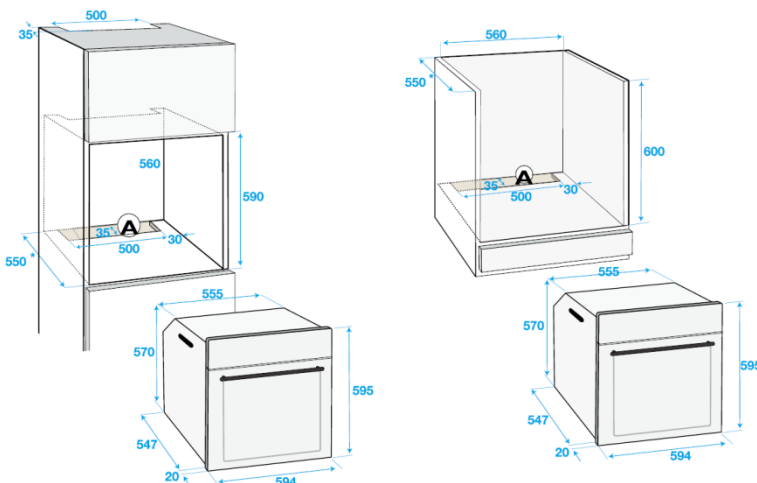
Soft Close Door

## Main Features

Oven feature	Multifunctional Cooking, Pyrolytic Cleaning
Gross volume:	94 Litres
Net Volume:	82 Litres
Multidimensional cooking:	Yes
Booster Function for quick pre-heating:	Yes
Detachable side racks:	5 levels
Full extension telescopic shelving:	2 Level
Display type:	Animated LED Display - Touchcontrol
Touch control:	Yes
Key lock:	Yes
Cooling fan:	Yes
Max. temperature:	480°C

## Design

Colour:	Anti-fingerprint inox
Door activated Interior illumination:	1 x Round Halogen light (Rear) + 1 x Square Halogen light (Right)
Layers of door glass:	4 (cool door)
Inner door type:	Full glass (removable)
Soft close door:	Yes



## Functions

Number of functions:	15
	Conventional Cooking
	Fan Assisted Cooking
	Bottom Heating
	Fan Heating
	Grill with Fan
	Electric Grill
	Low Grill
	Defrost function for Oven
	Eco Fan Heating
	3D Cooking
	Warm Keeping
	Pizza cooking
	Pyrolytic Self Cleaning
	Eco Pyro
Booster:	Yes

## Accessories

Cooking tray (deep):	1
Cooking tray (standard):	1
Wire shelf in tray:	1
Wire shelf with stopper:	2

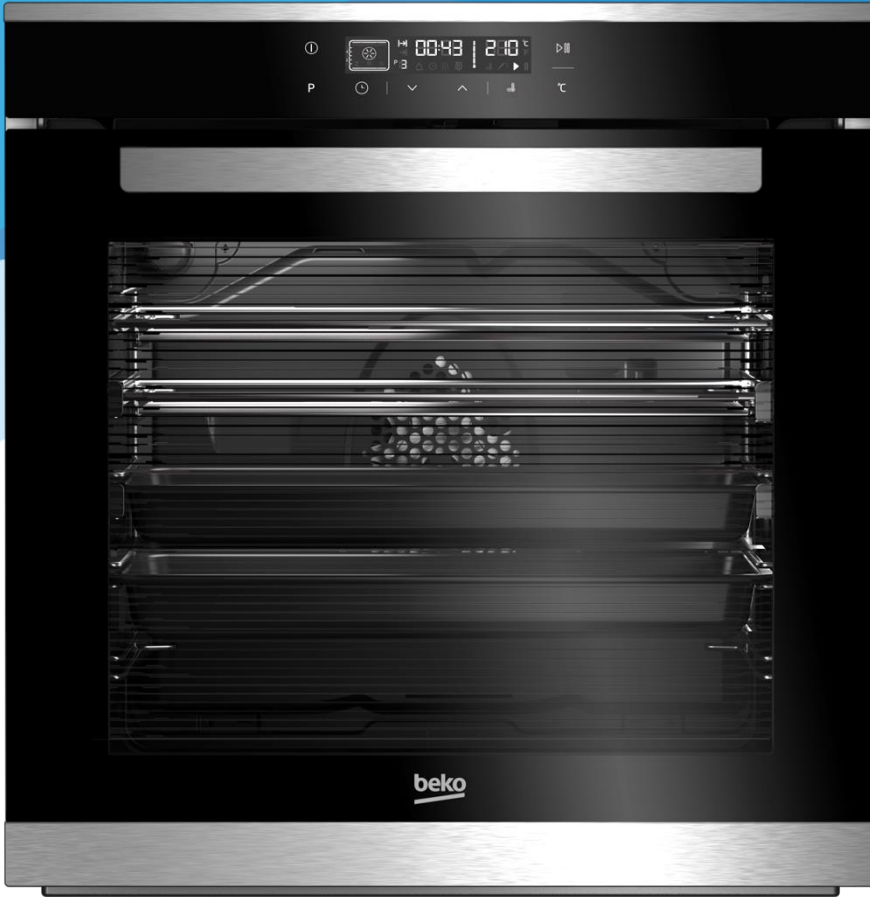
## Dimensions & Weights

Built-in dimensions (WxDxH) cabinet:	56x55x60 centimeters
Built-in dimensions (WxDxH) undercounter:	56x55x59 centimeters
Packaged height:	65.50 centimeters
Packaged width:	66.00 centimeters
Packaged depth:	66.00 centimeters
Packaged weight:	48 kilograms

EAN code: 8690842013782

# BIM35404XPS

## 94 lt. gross capacity Multifunction & Pyrolytic Built-in Oven



- Extra large 94lt gross capacity
- 15 functions
- Pyrolytic self cleaning
- Cool door (4 layers of glass)
- 5 level removable shelving
- 2 level fully extendable telescopic side racks
- Easy to remove side racks
- Smooth cavity
- Durable oven door
- Easy to clean full glass door

*Specifications are correct at time of printing. Specifications may change without prior notice.*

### Extra large 94L gross capacity

When it comes to capacity, bigger is definitely better. Despite its standard dimensions, the 94 liter\* Beko oven has among the most spacious interiors among in its class. The extra large interior provides enough room to roast a big turkey, or prepare a big feast for family and friends. It's convenient for large families, or anybody who wants to get the most out of a Standard 60 cm width built in oven.

### Cool Door

Thanks to four layers of glass on the oven door, the surface temperature never exceeds 70 °C even during the pyrolytic cycle, when the inner temperature of the oven can reach up to 480 °C. During standard cooking, the door's temperature remains as low as 50 °C, thus preventing any accidental burns.

### Pyrolytic Self-Cleaning

Removing greasy stains that accumulate in the oven over time can be a burden. Beko Pyrolytic Self Cleaning ovens save you from the trouble of scrubbing those hard-to-reach surfaces. The 120-min pyrolytic self-cleaning cycle burns stubborn stains to fine ash as the oven heats itself to 500 °C. The ash can then be simply wiped away with a piece of cloth, without the need of any detergents or chemicals.

### Odour Free Cooking

Selected Beko ovens are equipped with a special odour filtering system ensuring unwanted food odours do not spread throughout your kitchen.